

Bag House



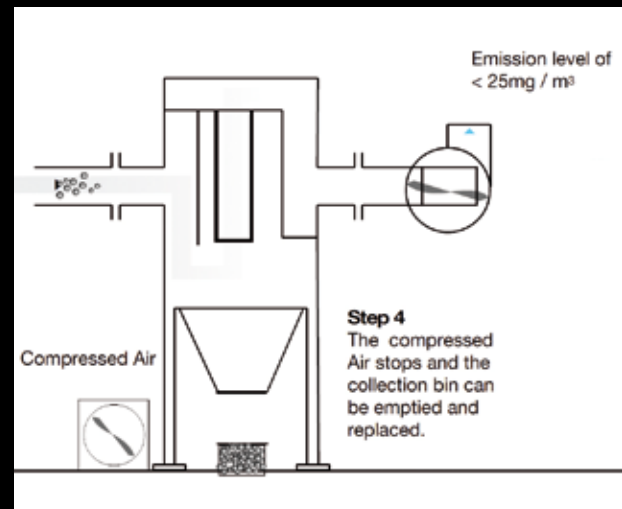
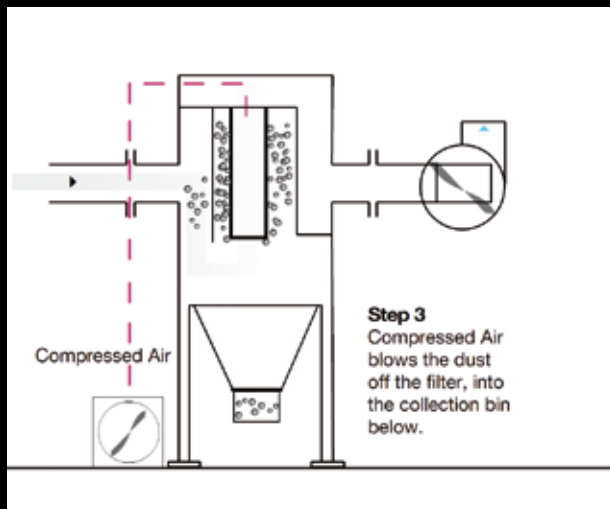
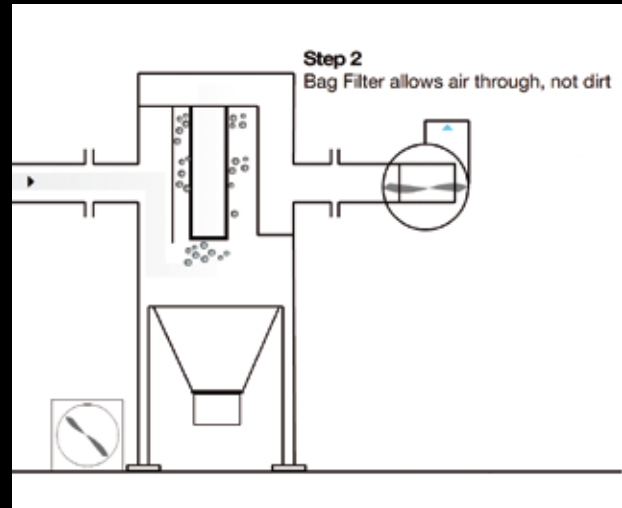
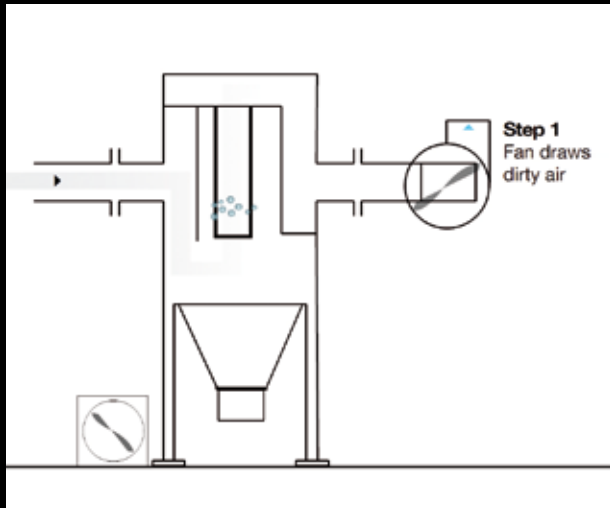
High and low dust loading.

We handle design, manufacture, transport, installation and maintenance of our products depending on your requirements.

Accessories

- Bags
- Cages
- Diaphragm Valve
- Conveying Systems
- Pressure Gauges
- Fans

How it works



All replacement cages, bags and accessories

